



DIGICHAIN

Electric chain hoist with hand
positionner on hooks for loads
of up to 500 kg

 **VERLINDE**
L I F T I N G E Q U I P M E N T

DIGICHAIN

Electric chain hoist with hand positionner on hooks for loads of up to 500 kg

+ ergonomics

A workstation meeting fully the demanding requirements of today's users.

With DIGICHAIN and positionner on hook your loads ranging from 63 to 500 kg can be effortlessly positioned with spot-on accuracy.

The orientation of the hoisting hook and handling grip can be suitably adapted by means of the adjustment screw.

100% safety The DIGICHAIN handling system enables you to lift your loads up to a height of 5 meter.



DIGICHAIN VR >



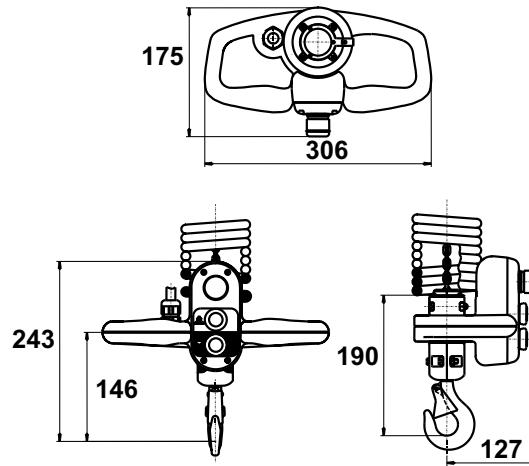
+ safety

The DIGICHAIN handling system enables you to lift your loads up to a maximum height of 5 meters.

- > Coil-formed control cable eliminates all risk of snarling up.
- > Upper and lower limits switches, for greater operating safety.
- > Hoisting hook can be dismantled and replaced with other hoisting or gripping tools.
- > Low Voltage 48 volt control system ensuring maximum operator safety.

Technical characteristics

- > Load capacity : 63 to 630 kg.
- > Maximum hoisting height : 5 meters.
- > Upper and Lower limit switches.
- > Dismountable hoisting hook.
- > 48 volts Low voltage control system.
- > Weight : 3.2 kg.
- > Storage temperature : -40°C to +60°C.
- > Service temperature : -20°C to +40°C.
- > Relative humidity : 90%.
- > Maximum side pull operability : 3 degrees.



EUROCHAIN® VR VARIO

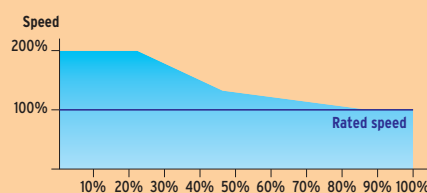
Electric chain hoist Stepless lifting speed

The electric chain hoist EUROCHAIN® VR VARIO with stepless lifting speed includes the following equipment as standard:

- > Stepless hoisting speed through inverter control.
- > Adjustable acceleration/deceleration ramp time.
- > EP, MS or analog control modes with load adaptive ESR functionality.
- > Brake control with supervision.
- > Over speed supervision.
- > Clutch slippage supervision.
- > Electronic overload prevention through load sensor.
- > Programmable hoisting limits set by pendant (available at a later phase).
- > Shock load control.
- > Hour counter, start counter, SWP calculation.
- > Active polygon damping, 50% reduction (only for Europe).
- > Power supply 380 to 480V/3Ph/50Hz 60 Hz.
- > Low voltage control 48 V (115 or 230 as option).
- > Variable travelling speed on electric trolley.



Adaptive ESR deceleration ramp (ESR : faster lifting speed with light loads, up to 200%)



> Range of EUROCHAIN available in DIGICHAIN version

Capacity (kg)	Hoist type	Group		Hoisting speed (m/min)	Number of falls
		FEM	ISO		
63	VR2 0608b3	3m	M6	8 / 2	1
	VR2 0610b3	3m	M6	10 / 2	1
	VR2 0616b3	3m	M6	16 / 4	1
	VR2 0620b3	3m	M6	20 / 5	1
125	VR2 128 b3	3m	M6	8 / 2	1
	VR2 1210 b3	3m	M6	10 / 2	1
	VR2 1216 b2	2m	M5	16 / 4	1
	VR2 1220 b1	1Am	M4	20 / 5	1
	VR2 1220 b1	1Am	M4	0,64 → 24	1
160	VR2 168 b3	3m	M6	8 / 2	1
	VR2 1610 b3	3m	M6	10 / 2,5	1
	VR5 1224 V2	2m	M5	16 / 4	1
250	VR2 258 b2	2m	M5	8 / 2	1
	VR2 2510 b1	1Am	M4	10 / 2	1
	VR5 254 b3	3m	M6	4 / 1,3	1
	VR5 258 b3	3m	M6	8 / 1,3	1
	VR5 2516 b2	2m	M5	16 / 2,6	1
	VR5 2520 b1	1Am	M4	20 / 3,2	1
	VR 5 2516 V2	2m	M5	0,64 → 16	1
320	VR2 328 b1	1Am	M4	8 / 2	1
	VR5 3216 b1	1Am	M4	16 / 2,7	1
	VR 5 3212 V1	1Am	M4	0,64 → 12,5	1
500	VR5 504 b2	2m	M5	4 / 1	1
	VR5 508 b2	2m	M5	8 / 1	1
	VR5 5010 b1	1Am	M4	10 / 1	1
	VR 5 508 V2	2m	M5	0,32 → 8	1

■ EUROCHAIN VR VARIO

